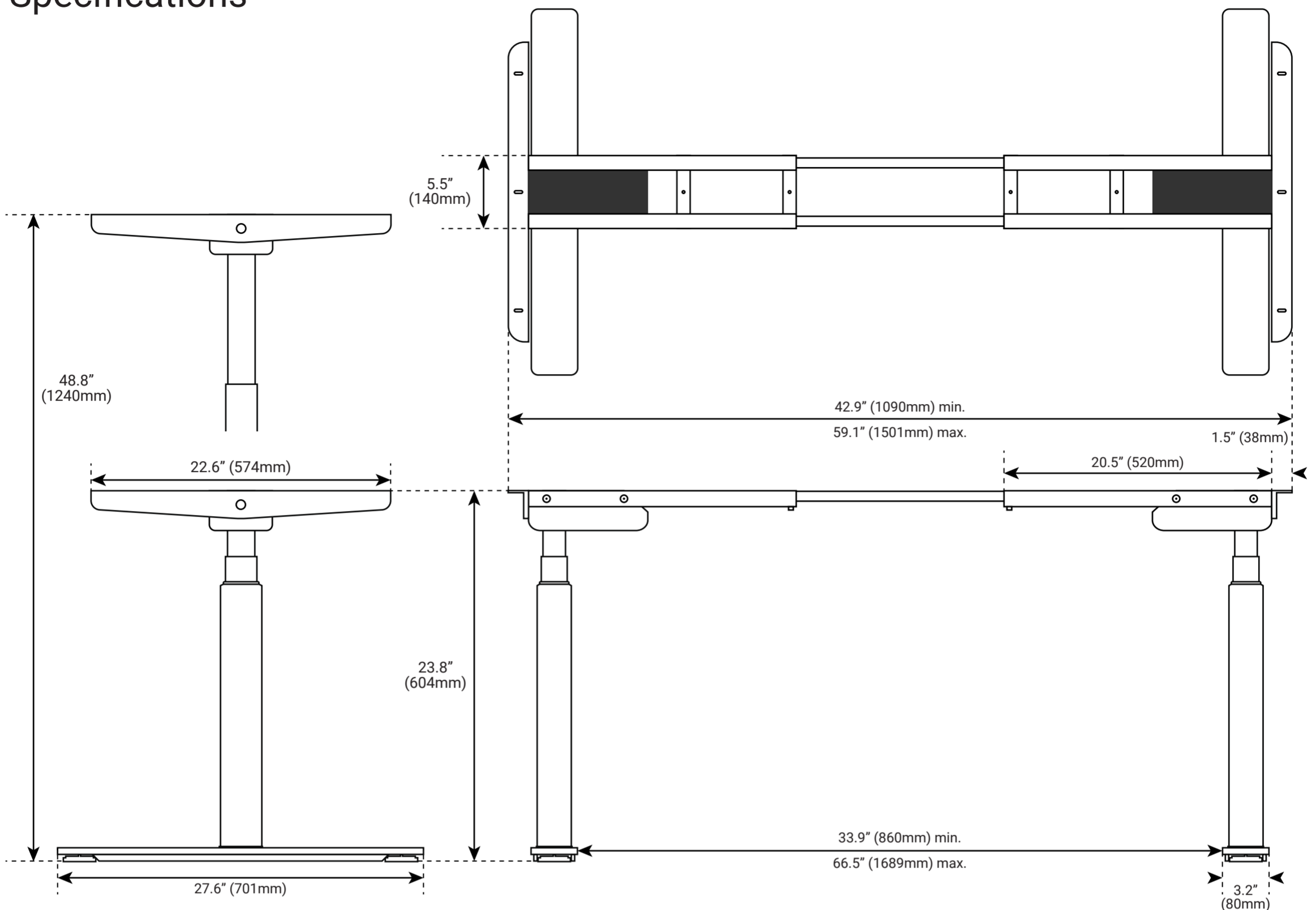
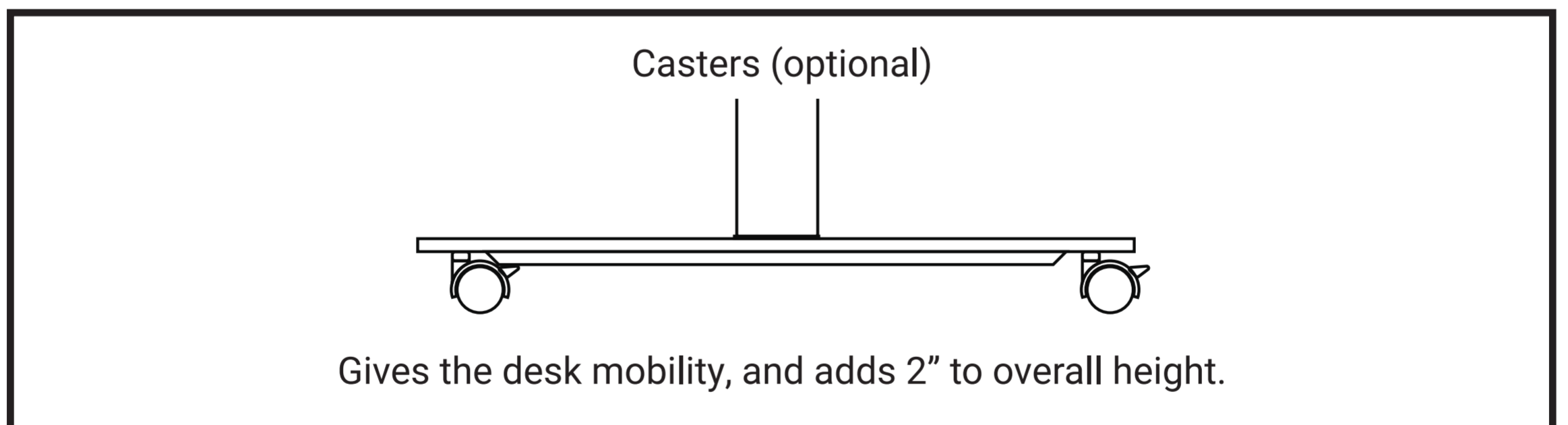


Specifications



ADDITIONAL PIECES



CAPABILITIES

- Travel Speed**..... 1.5"/seconds (varies depending on load)
- Weight Capacity**..... 400 lbs
- Noise Level**..... 50 decibels during motion
- Adjustable Foot Levelers**.... 3/8" adjustment for uneven flooring
- Voltage**..... Input: 110V Output: 30V
- Warranty**..... 10-year All-Inclusive warranty (includes motor, frame, controller, keypad, electronics & mechanisms)

FEATURES

- Features 26" of height adjustment, a quiet soft start and stop motor in each leg, and an energy saving low-draw transformer that doesn't use much electricity when not lifting or lowering the desk (this Green feature is not found on many other desks)
- Adjustable width telescoping base allows you to perfectly fit the base to your desktop and workspace
- Choose a standard push and hold up/down keypad, or upgrade to the advanced 1-touch digital memory keypad, featuring four programmable presets and an LED desk height readout in inches